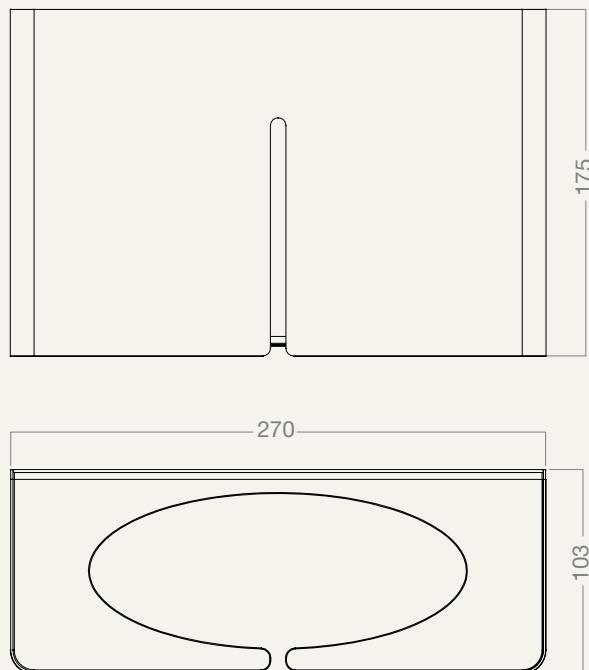


FROST
DENMARK

PAPER DISPENSER MINI

PRODUCT DETAILS, TECHNICAL DETAILS
AND FITTING INSTRUCTIONS



ITEM NUMBERS:

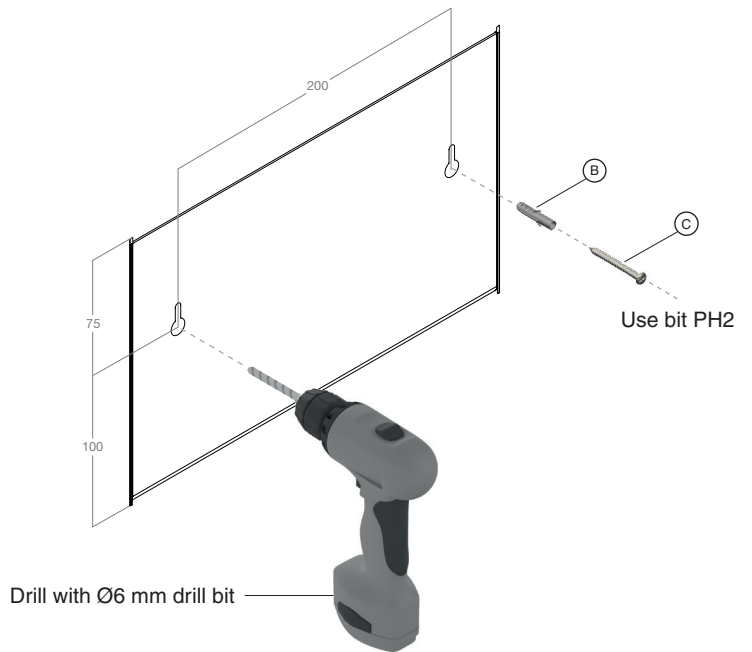
N1981, O1981, N1981-BOC, N1981-C, N1981-BMG,
N1981-GO, N1981-BCB, N1981-B, N1981-W

MATERIAL: STAINLESS STEEL

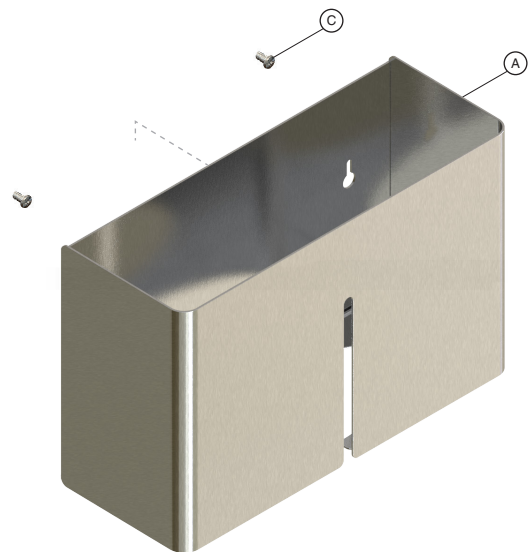
DESIGNED BY BØNNELYCKE MDD

MOUNTING OF N1981:

- ① Secure the dispenser (A) on the wall as illustrated. Use two (B) wall plugs (Ø6x30) and (C) screws (Ø4x40).



- ② Mount the (A) dispenser on the (C) screws (Ø5x40) as illustrated.



RECOMMENDED PAPER:

- ⓘ TORQ Advanced Soft H2 Interfold Hand Towels
Paper Size: 220 x 90 mm





CLEANING AND MAINTENANCE

Surfaces should be cleaned with a microfiber cloth, glass cleaner or other non abrasive and gentle agents.

ATTENTION:

Never use solvents or aggressive household cleaners like bleach, acids (e.g. descalers) or ammonia-based bathroom cleaner to clean the product. Steel wool and hard brushes can permanently damage the surface of the steel.

EXCLUSION OF LIABILITY

FROST accepts no liability whatsoever for damage to persons or property that occurs or has occurred as a result of improper installation or maintenance, particularly if the safety instructions and other points to note listed are not or have not been observed in full.

WARNING AND HAZARD NOTICES

Improper mounting or use can lead to accidents and serious injuries.

www.frostdenmark.com

We are also to be found as frostdenmark on Facebook,
Instagram, Pinterest and LinkedIn

